



Fire protecting windows close to boundaries

product solutions



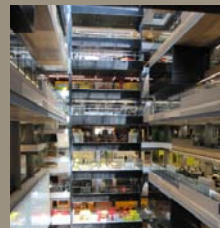
Q1
Queensland



Hyundai Head Office
Sydney



Digital Life Labs
Melbourne



ANZ Head Office
Melbourne



"Stockhome", Stocklands HQ
Sydney

Product Solutions



Clause C3.4 of The Building Code of Australia (BCA) requires fire protection of openings in external walls when the walls are in close proximity to adjoining property boundaries. Any window openings in the external fire rated walls are required to be protected by one of several methods as follows;

BCA C3.4 Acceptable methods of protection

(a) Where protection is required, doorways, windows and other openings must be protected as follows:

(ii) Windows —

(A) internal or external wall-wetting sprinklers as appropriate used with windows that are automatic closing or permanently fixed in the closed position; or

(B) -/60/- fire windows that are automatic closing or permanently fixed in the closed position; or

(C) -/60/- automatic closing fire shutters.

(iii) Other openings —

(A) excluding voids - internal or external wall-wetting sprinklers, as appropriate; or

(B) construction having an FRL not less than -/60/-.

(b) ...fire windows and fire shutters must comply with Specification C3.4

Alternatively, a radiation attenuation screen can be used provided a Fire Engineer can demonstrate that it meets the Performance Requirements of CV1 and CV2 in the BCA. When considering using mesh, you should consider the total cost of the product, its installation and the cost of the fire engineers report.

Smoke Control provides a range of deemed-to-satisfy solutions that comply with the BCA for this application. These systems are designed to suit varying architectural and budgetary needs and include;

- **Autofire -/60/- Automatic Closing Fire Windows**
- **Stopline -/60/- Fixed Fire Windows**
- **Windowshield Slimline Automatic Closing Fire Shutters**
- **Metashield Automatic Closing Metal Fire Shutters**
- **Radiation attenuation screens (Mesh)**
(Attention: Mesh systems cannot achieve a fire rating as required by Clause C3.4 and therefore can only be used as part of a Fire Engineers Solution. Please contact us for details.)

These solutions can be tailored to meet the objectives of architects or designers, fire safety engineers or consultants and developers of builders.



For Full Lifecycle Service

www.smokecontrol.com.au



Product Solutions

Smoke Control is a privately owned Australian company with its head office based in Sydney, Australia. It was created, partnering with leading local and international organisations, to work with the new performance based design environment, as well as the traditional prescriptive environment, designing and installing systems to meet the challenging life and building safety requirements of both modern and heritage buildings. The Company operates nationally and also has an office in New Zealand.



Smoke control provides a comprehensive range of life safety solutions. We provide the professional support required with a team that is trained, experienced and ready to face the challenges your project demands.

Smoke Control provides a **full life cycle service** to our clients, therefore at any stage during the project, from design all the way through to commissioning, the only company responsible is Smoke Control.

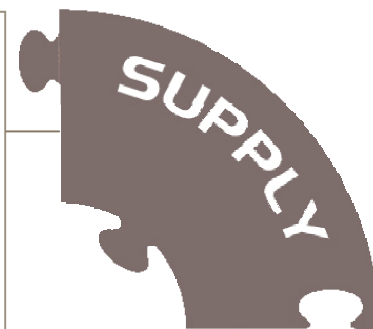


Smoke Control is a leader in the passive fire protection sector when it comes to providing design assistance and product support. This support is backed by fully qualified Fire Engineers and trained and experienced personnel.

Smoke Control also has a thorough understanding of the Building Code, relevant Australian Standards and approval processes. Our design assistance will ensure a smooth transition for our clients at both commissioning and certification.

Smoke Control's reputation for delivering high quality solutions for our clients cannot be maintained unless active support from the manufacturers is available.

Smoke Control has the capabilities to reduce the risks of all client concerns facing today's construction industry due to our careful selection of suppliers and our own policy and procedures. Our audit process for our suppliers therefore includes an emphasis on partnering only with firms who also have proven strong global reputations and infrastructure to adequately complement Smoke Control's expertise in the Australian and New Zealand regions. This means that our suppliers are also ISO9000 accredited.



Due to the importance of continual functionality of our systems, Smoke Control stocks a complete range of spare parts in our warehouse. We also have the capability and resources to maintain many other life safety systems including; fire doors, all passive fire protection, fire shutters and existing smoke vent installations.



Quality of product is pointless unless it is also installed to a high standard. This is essential when highly innovative and technical solutions are required. Smoke Control has a fully trained and approved national installation network, allowing us to deliver, commission and certify complete integrated and reliable systems across a range of trade disciplines.

More importantly, our installers are our own and with this comes an unmatched wealth of experience gained across a myriad of project types and difficulty levels.



For Full Lifecycle Service

www.smokecontrol.com.au

SMOKE
CONTROL

Autofire Automatic Closing Fire Windows



The Solution:

Autofire Automatic Closing Fire Windows can be operated on a day-to-day basis as a normal casement type window. In the event of a fire a fusible link releases at 68 °C allowing the window to close and latch.

During normal use the window is held open with a casement stay. The casement stay and latch can be supplied in various standard finishes such as Satin Chrome and Polished Brass. Other finishes are available on request. The windows are top hinged to allow for automatic closing and do not need to be connected to the alarm system.

The system is supplied with 6mm thick Pyroswiss Extra fire resistant glass. Pyroswiss Extra provides maximum transparency, allowing it to integrate perfectly alongside non-fire glass. Pyroswiss Extra is manufactured by Vetrotech/St Gobain, one of the worlds oldest and most respected glass companies. Pyroswiss Extra can be combined with other St Gobain glasses to form double glazed units for solar control, low-emissivity or enhanced thermal insulation.

The galvanised steel framing system is coated both internally and externally (Double Galvanised) to ensure long lasting corrosion protection. The standard frame profile is a slimline 50mm x 45mm section and incorporates a weather seal gasket for maximum performance.

These windows comply in full with the requirements of the Building Code of Australia and have been incorporated in many projects across Australia.

Installation:

Only Smoke Control can provide Full Life Cycle Service of design, supply, installation, commissioning and maintenance



Gertrude St, Gosford, NSW

The Features:

- Fire ratings up to 2 hours
- Openable for fresh air
- Slimline framing 50 x 45mm incorporates weather seal gasket
- Available in powder coated finish
- Incorporates maximum transparency clear fire rated Pyroswiss Extra glass
- Pyroswiss Extra is a Class A Safety Glass
- Double glazed units available
- Double Galvanised frame for maximum corrosion protection
- Can be incorporated into fixed pane systems for larger openings, refer following pages

Sizes:

Maximum openable window height: 1200mm

Maximum openable window width: 1200mm

Larger sizes can be accommodated by incorporating fixed lights and mullions as shown in the image above.



For Full Lifecycle Service

www.smokecontrol.com.au



Autofire Automatic Closing Fire Windows



Gertrude St,
Gosford, NSW



For Full Lifecycle Service

www.smokecontrol.com.au



Stopleveline Fixed Fire Windows



The Solution:

Stopleveline Fixed Fire Windows can span large openings to provide minimal disruption to views.

The system is supplied with 6mm thick Pyroswiss Extra fire resistant glass. Pyroswiss Extra provides maximum transparency, allowing it to integrate perfectly alongside non-fire glass. Pyroswiss Extra is manufactured by Vetrotech/St Gobain, one of the worlds oldest and most respected glass companies. Pyroswiss Extra can be combined with other St Gobain glasses to form double glazed units for solar control, low-emissivity or enhanced thermal insulation.

The galvanised steel framing system is coated both internally and externally to ensure long lasting corrosion protection. The profiles are available in a range of sizes and can incorporate the Autofire openable fire windows (refer previous pages). The standard frame profile is a slimline 50mm x 35mm section—the most slimline system available on the market. When incorporating doors or openable windows a larger frame profile is required.

Stopleveline Fixed fire Windows comply in full with the requirements of the Building Code of Australia and have been incorporated in many projects across Australia.



The Features:

- Fire ratings up to 2 hours
- Slimline framing 50 x 35mm
- Available in powder coated finish
- Incorporates maximum transparency clear fire rated Pyroswiss Extra glass
- Pyroswiss Extra is a Class A Safety Glass
- Double glazed units available
- Double galvanised frame for maximum corrosion protection

Sizes:

Maximum total pane size is 3.6m² and;
maximum pane height: 3000mm OR
maximum pane width: 1200mm

Note: Unlimited system widths can be achieved provided the maximum pane sizes are not exceeded.

Lead times for frame fabrication and standard colour powder coating is 7-10 working days depending on work load, please check at time of order.

Standard sizes:

A limited unpainted window frame range is held in stock to suit the following clear openings. Other sizes are also held from time to time, please check at time of ordering for availability.

H x W

900 x 600 mm

900 x 1200 mm

900 x 1200mm

1200 x 1200mm



For Full Lifecycle Service

www.smokecontrol.com.au



Stoplevel Fixed Fire Windows

SGG PYROSWISS® EXTRA



6mm



Gertrude St, Gosford, NSW



Oxford St, Gosford, NSW



For Full Lifecycle Service

www.smokecontrol.com.au



Windowshield Fire Shutters



The Solution:

Windowshield is specifically designed to provide a slimline and cost effective solution to protect windows in external walls close to boundaries.

Windowshield's operation is simple and reliable, containing no motors or electronics. The system is normally held in the fully open position by a fusible link. On activation, the curtain drops by gravity (gravity fail safe) to protect the window opening. It is re-wound manually into the head box.

Windowshield's compact design overcomes the space and aesthetic restrictions of other types of barriers such as roller shutters and drencher systems. The Windowshield head box and side guides are constructed from galvanised steel and are also available powder coated.

The Features:

- Suitable for both new projects and retrofit applications
- Cost effective solution
- 1 hour (-/60/-) fire rating
- Complies with the requirements of BCA Clause C3.4 and AS1905.2
- Available in a range of sizes
- Available powder coated or galvanised finish
- Slimline and light weight
- Unobtrusive design



Sizes:

Windowshield is available in any size increment up to the following maximum dimensions (W x H)

- 4000 x 1500mm
- 1800 x 1800mm

Stock sizes are held for urgent projects. These can be reduced in size to fit the opening or where aesthetics are not critical, they can be supplied in the closest available size to reduce lead times.

Larger sizes available on request, please contact us for details.



Syd. Missionary and Bible College, NSW



For Full Lifecycle Service

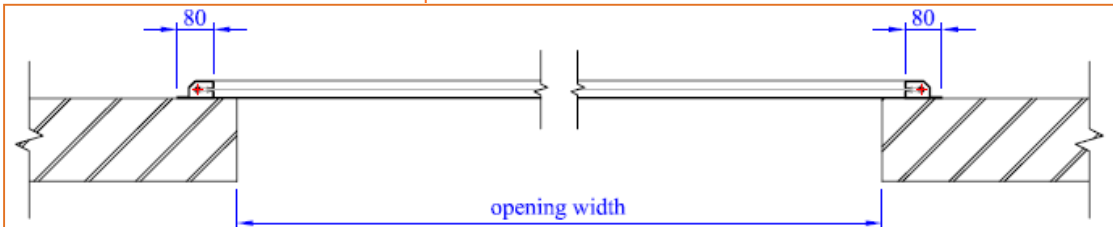
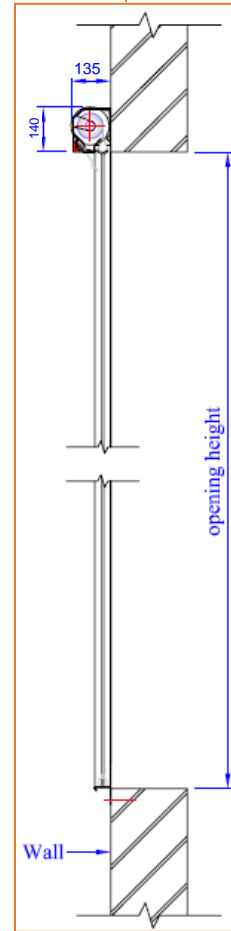
www.smokecontrol.com.au



Windowshield Fire Shutters



Syd. Missionary and Bible College, NSW



84 The Spit, Mooloolaba, QLD



Nowra Court House, NSW



For Full Lifecycle Service

www.smokecontrol.com.au



Metashield Fire Shutters



The Solution:

Metashield fire shutters are an ideal solution for providing fire compartmentation and security.

Metashield fire shutters are available in various finishes including; paint and hot dip galvanised mild steel.

The system provides two operation options. The motor driven closure is recommended for an environment that requires easy and regular closure and for larger openings, whilst the gravity fail safe system is suitable for use on smaller openings that are easily accessible to reset the system after deployment.

The Features:

- Provides fire compartmentation and security
- Suitable for both new projects and retrofit applications
- Complies with the requirements of BCA Clause C3.4 and AS1905.2
- Available in a range of sizes
- Available powder coated or galvanised finish



Sizes:

Maximum wall opening height: 3000mm

Maximum wall opening width: 6000mm

Larger sizes are available, please contact us for details.



For Full Lifecycle Service

www.smokecontrol.com.au



Metashield Fire Shutters



Illawarra Catholic Club, NSW

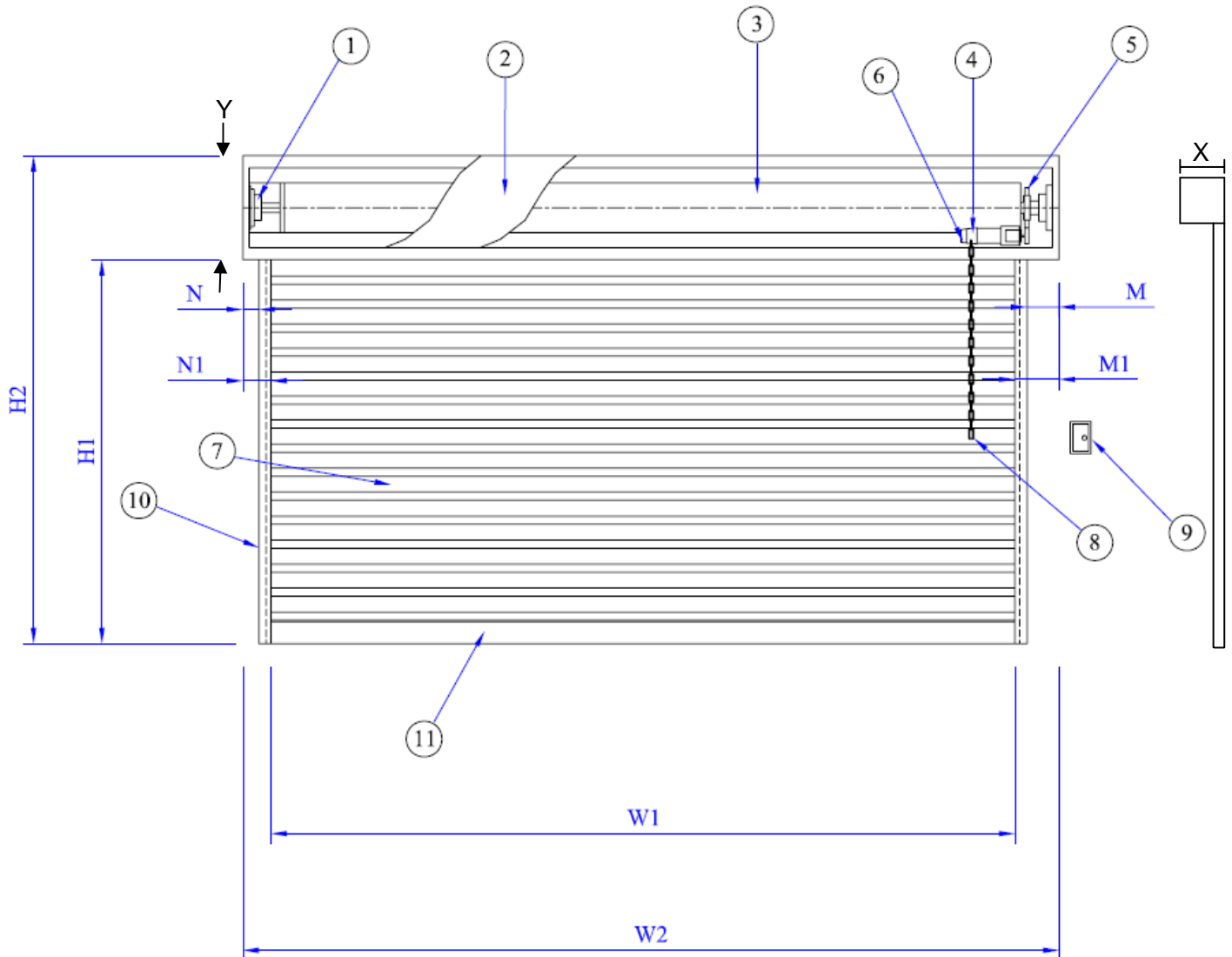


For Full Lifecycle Service

www.smokecontrol.com.au



Metashield Fire Shutters



X = 500 mm

Y = 500 mm (approx. dependant on specific drop height and width)

N = 0 (min.)

N1 = 250 (min.)(For fire rated shutter only)

M = 50 (min.)

M1 = 250 (min.)(For fire rated shutter only)

W1 = Clear opening (width)

W2 = Structural opening (width)

H1 = Clear opening (height)

H2 = Structural opening (height)

1. Bearing
2. Shutter Hood
3. Barrel
4. Motor
5. Sprocket
6. Self-weight Sliding Down Device
7. Shutter Curtain
8. Manual Chain
9. Push Button with Locking Device
10. Guide Rail
11. Bottom Bar



For Full Lifecycle Service

www.smokecontrol.com.au

SMOKE
CONTROL

Flame Guard M



The Solution:

Flame Guard M is a marine grade stainless steel mesh with a polyurethane coating for added corrosion protection.

It is supplied with powdercoated perimeter frame and mounting brackets.

As with all mesh systems used to protect windows close to boundaries, Flame Guard M can only be used as an Alternative Solution in a Fire Engineers Report. Mesh systems do not comply with Building Code of Australia Clause C3.4 but may comply with the Verification Methods as an Alternative Solution. Costs of the Fire Engineers report should be taken into consideration when considering this method of protection. Please contact us for details.

The Features:

- Provides security and reduced light transmission
- Suitable for both new projects and retrofit applications
- Available in a range of sizes

Sizes:

Flame Guard M is manufactured to order in any size increment.



For Full Lifecycle Service

www.smokecontrol.com.au

SMOKE
CONTROL

Product Solutions 1 Complete and Guaranteed



T: 1300 655 471

W: www.smokecontrol.com.au

E: info@smokecontrol.com.au